



अब आगे बढ़ना है ...

ख्याती मोबाईल स्टार्टर खरीदने के लिये आपका धन्यवाद !

USER MANUAL



Thank you very much for purchasing khyatee mobile starter. please read this manual carefully and understand the features and uses it can provide you to make your life very comfortable and easy.

Important points to remember for mobile phone settings and connections

• We Recommend Use Of Nokia 1200 Mobile Phone

- 1 Please does not inform your mobile starter phone number and password to anybody to prevent misuse.
- 2 Set mobile phone volume to 60 -70%
- 3 Switch off vibrator mode in phone
- 4 Select the ring tone with large sound.
- 5 Connect charger and headphone pin from unit to mobile phone properly, if you are using any other phone, than if required use extension cords available in market to suit your phone charging input.
- 6 Always keep mobile phone in plastic holder provided, with unit and as away as possible from unit.
- 7 Keep unit and mobile phone always in lock and key.
- 8 For totally silent operation at site. You can just apply small insulating tape to side speaker on phone.
- 9 You must insert SIM Card with proper validity and balance.
- 10 If power is absent at site then phone will keep ringing and will not ask you password etc, it saves the money on phone call every time.
- 11 When wrong password is given 4 times phone will get disconnected and you have to dial again.
- 12 If no further instructions are given on request to unit in required time then phone will get disconnected.
- 13 Always disconnect phone with # switch. If disconnected with off switch then you have to dial unit after 2 minutes. Or cut power to unit and restart again.
- 14 It is recommended to install auto switch along with mobile starter.
- 15 In case you forget password or need help please call on company help line number **092267 26166** during office hours.

Additional features in mobile starter

- It has one minute auto switch timer for power failure which will

start the motor automatically once power comes back if motor was ON before the failure. And unit is in auto mode (recommended mode)

- It has 20 seconds star delta timer which will make semi automatic star delta starter to fully automatic.
- Unit works on single as well as three phase power supply from 100 to 500 volts.
- Unit comes with color coded output wires, charger and headphone pin (HS 47) and hardware for easy connection at site.

Indications

- **Power** - continuous (blue LED)
- **Pump on** - blinking (blue LED)
- **Bypass** - unit in bypass mode (red LED)
- **Timer** - one minute power on timer for auto start. (Yellow LED)
- **Network check** - to check connection between mobile phone and unit.(Red LED)

Switches And Functions

Auto / Manual / Bypass switch

- **Auto mode** (recommended mode)
You can start and stop motor from mobile phone or unit and. You will get one minute auto switch timer for automatic start on power failure when power returns, if motor was ON before.
- **Manual Mode**
You can start and stop motor from mobile phone or unit and auto switch timer will not be available to auto start the motor. You will have to start manually. This is useful in industrial equipment operations.
- **Bypass mode**
You can not start and stop motor from mobile phone or unit as you have totally bypassed the unit. bypass LED will become on and when you dial to unit it will not ask password etc but will inform you that starter is in bypass mode and what is power and motor status at site so your call do not go waste. Use this in emergency situations only.

Keep your connected auto switch in manual mode and Start and stop motor from electrical starter or panel connected to unit till unit is again placed in auto or manual mode.

• **ON Switch**

You can start the motor using this switch except in bypass mode.

• **OFF Switch**

You can switch off motor using this switch except in bypass mode.

• **Network checking switch**

This switch is used to check proper connection and communication between unit and connected (receiver) or dialer mobile phone. Please note during this mode all other functions of unit will be in OFF mode.

Press check network switch for 10 seconds, check network LED will become on, leave the switch now and start pressing 0 to 9 switches from connected mobile phone network LED will blink same number of time. Press # switch to come out of this mode.

After entering network check mode you can dial from dialer phone and manually receive phone connected to unit and check same as above. Unit will not ask you password etc it will blink as you press switch from 0 to 9.

This is very useful and unique facility provided by your Khyatee Mobile Starter.

• **Common wiring connection for all with DOL / STAR DELTA STARTER and AUTO SWITCH**

- 1 There are seven wires are coming from mobile starter unit
- 2 Connect M1, M2, M3 wires to R Y B of input terminal of your electrical DOL / Semi or fully automatic star delta starter.
- 3 Connect two white wires S1, S2 to P3 & P4 (across ON push button).

• **Select one of the following for further connections**

If DOL Starter With Auto Switch Connected then

- Remove wire connected to P1
- Connect one black wire (V) to this wire
- Connect another black wire (N) to P1

If Only DOL Starter then

- Remove link between P1 and Coil
- Connect one black wire (V) to P1
- Connect another black wire (N) to Coil



अब आगे बढ़ना है ...

ख्याती मोबाईल स्टार्टर खरीदने के लिये आपका धन्यवाद !

USER MANUAL



If Semi / Fully Automatic Star Delta Starter With Auto Switch Connected then

- Remove wire connected between P1 to B Phase
- Connect one black wire (V) to this wire
- Connect another black wire (N) to P1

If Only Semi / Fully Automatic Star Delta Starter then

- Remove link between P1 and B phase
- Connect one black wire (N) to P1
- Connect another black wire (V) to B Phase.

To use unit as single phase

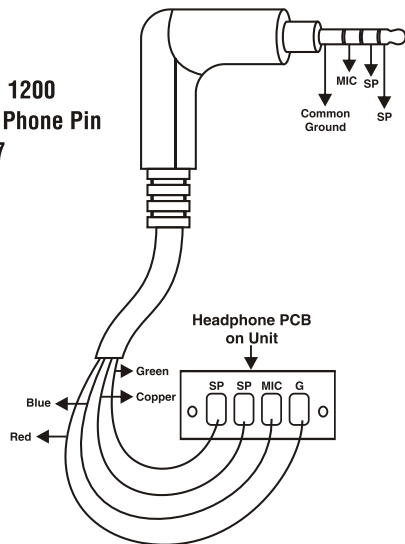
- Connect phase and neutral to M1 and M2 of unit (M3 Open)
- Connect load in series using two black wires up to 3 amps only or connect DOL STARTER as above and use up to required amperes.

OPTIONAL

For Any Other Mobile Phone Connection To Unit. Please Connect External Headphone Wires To Headphone PCB On Unit

If you want to use any other mobile phone please make sure that you do this very carefully and advised to get done from qualified person who knows phone wires related soldering e.g. mobile phone repairer

Nokia 1200 Head Phone Pin HS-47



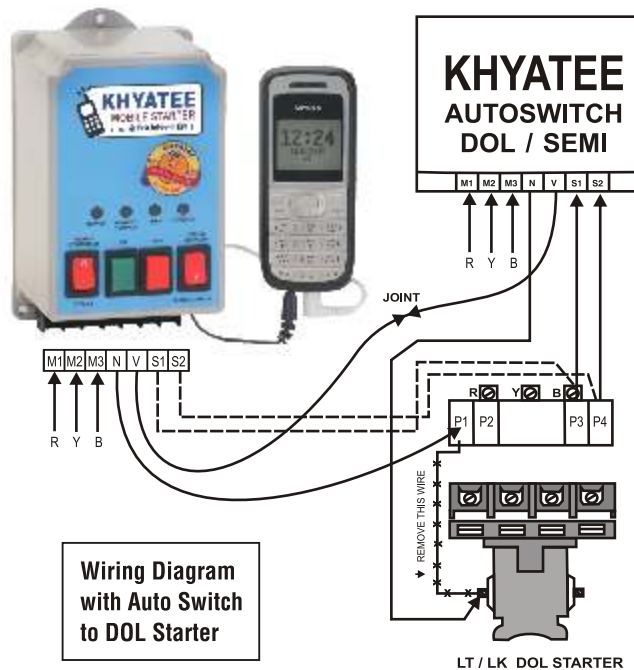
Important points

- Mike wire is always connected across headset selector switch.
- Bottom side of pin is always ground
- There can be 1 or 2 speaker wire depending on mono or stereo headset. We can connect one or both wires to headphone PCB.
- You can use continuity tester to find out wires.
- Before soldering Check phone for proper functioning with headphone etc

Procedure

Cut the headphone wire just before the switch and see three or four wires coming from it. Find out ground, mike and speaker wires as shown in diagram no 1 and solder it to headphone PCB provided just above unit terminal properly by the qualified person. Any damage to unit during this will be totally buyer's responsibility.

Note: please put insulation tape on headphone wire coming from unit.



Wiring Diagram with Auto Switch to DOL Starter



Increase Life of Your Product

- Keep Unit under proper cover with lock
- Protect it from dusty, wet and humid conditions
- Do not Drop, Break or Roughly handle the Unit
- Do not attempt to open the Unit
- Never use for any other application then specified
- Do not clean with water or any liquid



Manufactured by :

KHYATEE

Khyatee House, Sukhsagar Nagar, Pune - 411 046. India.

e-mail: khyatee.india@gmail.com ■ web: www.khyatee.in



Helpline No.: 092267 26166

Between 10.30 am. to 5.30 pm.